

FIXSCREEN[®] RECESSED

 **DOVE**
Architectural Blind Solutions

SEAMLESS INTEGRATION

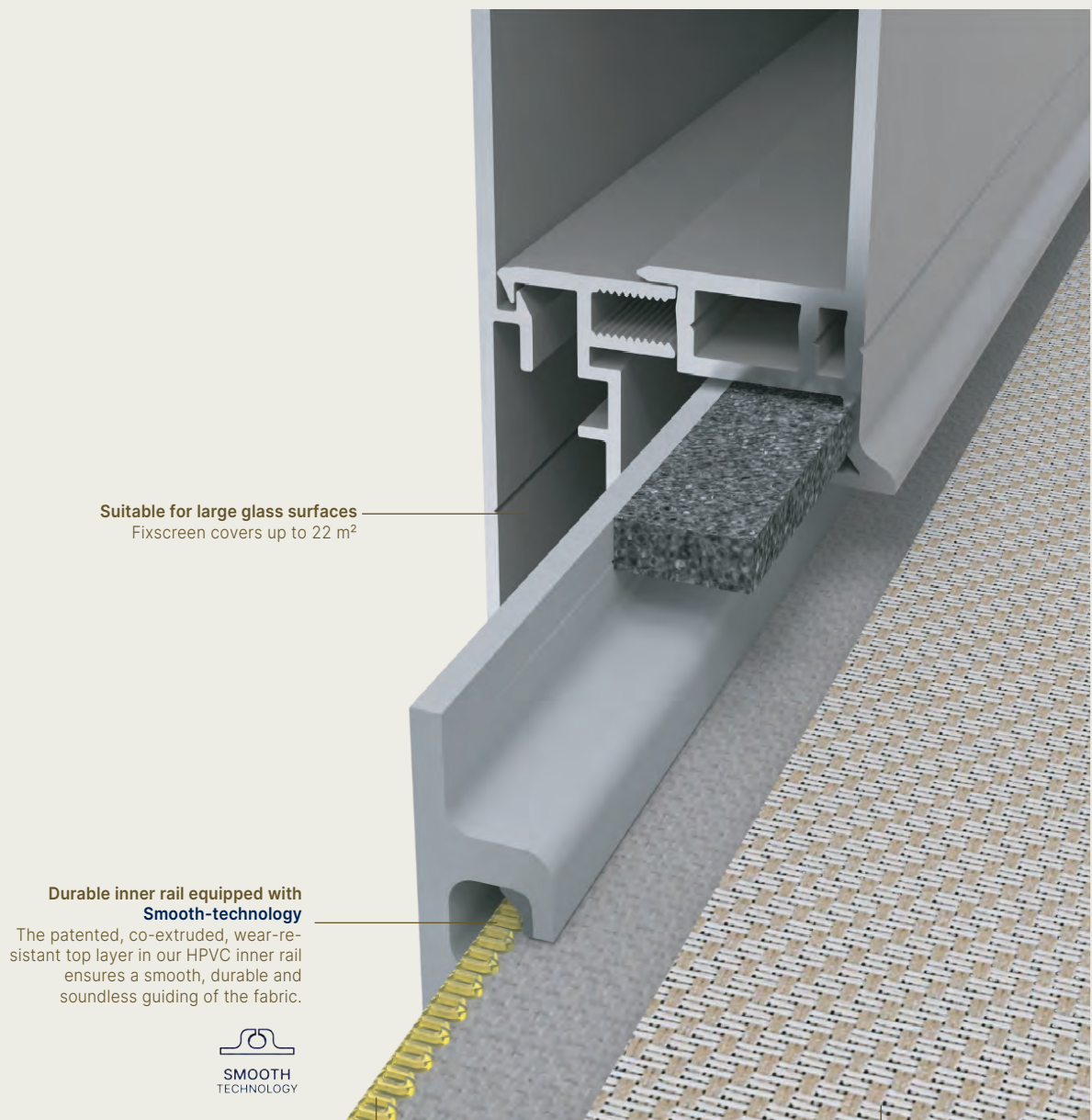


 **RENSON[®]**

FIXSCREEN®

KEEPING HOMES COOL SINCE 2005!

2005: With Fixscreen, Renson launched the first windproof external sun protection screen that could handle wind speeds of up to 130 km/h. So, how does it work? The screen zips tight in two side channels while being lowered, meaning flapping and torn screen fabric are a thing of the past. A genuine milestone, as well as the first step toward a remarkable success story.



Suitable for large glass surfaces
Fixscreen covers up to 22 m²

Durable inner rail equipped with Smooth-technology
The patented, co-extruded, wear-resistant top layer in our HPVC inner rail ensures a smooth, durable and soundless guiding of the fabric.



SMOOTH
TECHNOLOGY

Fixscreen-technology guarantees high wind resistance
High wind guarantee up to 130 km/h, thanks to the use of symmetrical zips.



FIXSCREEN
TECHNOLOGY

Vast collection of fabrics and powder coating colours
For the perfect match with all types of architecture



FABRIC SET INSTALLATION AND DISASSEMBLING

Quick and safe installation and disassembling of fabric set thanks to **Connect&Go-technology**.



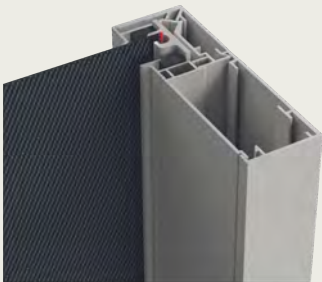
UNIQUE FABRIC TUBES

The standard fabric tube is fitted with a unique recessed groove to limit the impression of the fabric eyelet, with the aim of reducing horizontal lines forming in the fabric. Fixscreen Slim IM 7 and freestanding models also have a detachable click-profile for large widths. This ensures easy (dis)assembly when replacing the fabric.



SIDE GUIDING CHANNEL TO HIDE CABLES

The open side guiding channel S is equipped with an extra channel in which the power supply cable for the motor can be concealed.



THREE-PART SIDE GUIDING CHANNEL

The deep side guiding channel D for recessed screens ensures the accessibility of the head box after installation. This threepart guiding channel has a U-shaped base profile, allowing the fabric set to be easily disassembled without having to completely disassemble the side guiding channel itself. This eliminates the need for cutting or breaking, and maintains the water and wind tightness.

Benefits of fabric sun protection

We all require natural daylight. The combination of dynamic outdoor sun protection and clear glass enables you to enjoy the maximum amount of natural daylight through the windows, from the inside.



THE VIEW OUTSIDE IS RETAINED AND YOUR PRIVACY IS PROTECTED

With the screens closed, you can still see outside, while daylight continues to flood in. And that's where screens differ from roller shutters, which keep out all the light. That's unless you opt for blackout screens, of course, which are the perfect solution for the bedroom, for example.



EXTREMELY WIND RESISTANT

With its ingenious zip system — our Fixscreen technology — the fabric sits fully windproof in the side guiding channels, whatever position it is in. What's more, in the closed position, the screen is insect-proof too.



THE ULTIMATE AESTHETIC SOLUTION

Small fabric head boxes with narrow side guiding channels and a wide range of colours: that's what makes screens the ultimate aesthetic choice for your home. This is especially true if you ensure they are completely incorporated into the building envelope.



Summer



Winter

ENJOY EVERY SEASON

The dynamic character of screen enables you to bring the best of the outside in during every season, unlike solar protection glazing, which blocks the sunrays all year round. Screens keep out the heat but let in as much daylight as possible in summer, and help you gain as much heat from the sun as possible in winter, meaning you're always in control.

FIXSCREEN® RECESSED







PERFECT FOR NEW HOMES OR WINDOW REPLACEMENTS

Fixscreen Recessed offers seamless integration with your window frame, preserving the allure of your facade while maximizing natural daylight and views. Customize fabric color and coating, with the bottom bar discreetly disappearing into the head box for a polished look.

GUARANTEED PROTECTION

Ensure your facade's integrity with Fixscreen Recessed. Its three-part recessed guiding channel guarantees windproofness and watertightness while allowing easy access to the screen head box without risk of damage. Enjoy seamless integration and unrivaled protection, always.

MANUFACTURED IN AUSTRALIA

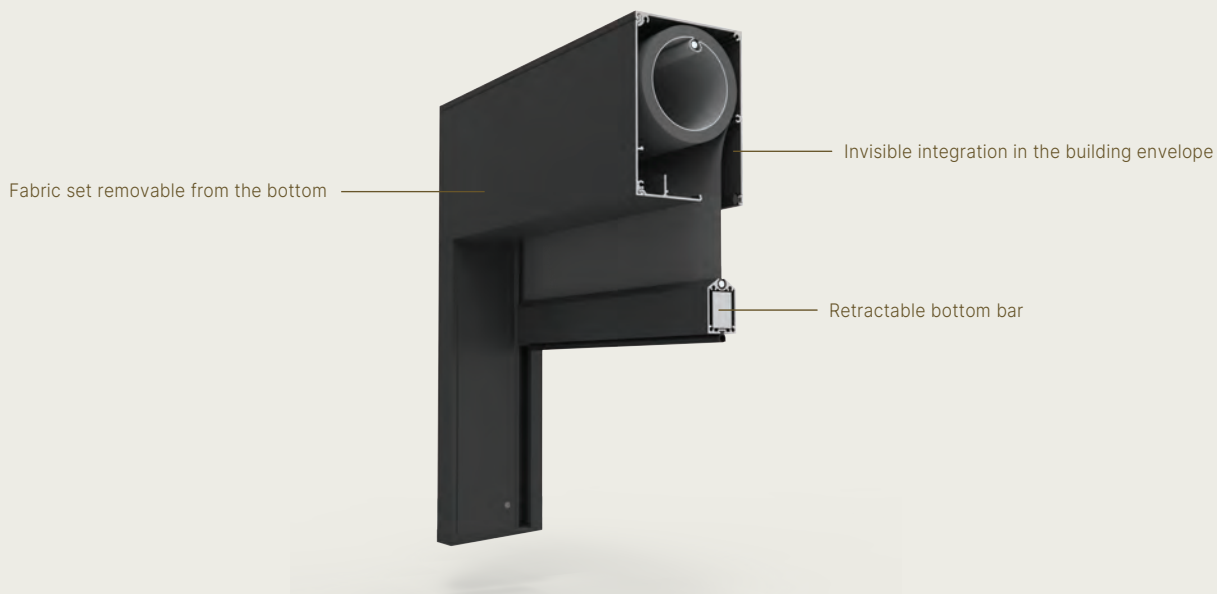
The design is meticulously crafted in Belgium, while manufacturing takes place right here in Australia. From design to production, every detail is carefully executed, ensuring superior quality and performance tailored to your needs.

FIXSCREEN®



Recessed in front of the window IM 7

Installation method **7A** fabric close to the window
 Installation method **7B** fabric away from the window.



Design	Fixscreen® 100 Slim	Fixscreen® 150
Head box dimensions (HxD)	150 mm x 110 mm	150 mm x 155 mm
Head box extension	500 mm	
Square	✓	
Retractable bottom bar	✓	✓ (to FH ≤2800 mm)
Recessed fabric tube	✓	
Base plate side guiding channel	At an angle of 0° or 5°	
Wind resistance		
Wind classification EN13561:2004	3	
Wind tunnel test report	N°113-25809	
Guaranteed wind resistance	Up to 130 km/h in closed position depending on dimensions	
Control		
Detecto Renson motor Safety First	✓	
Somfy mechanic motor	✓	
Somfy (Meastria) IO radio-controlled motor	✓	
Certificates		
Declaration of Performance (DoP)	DOP-2015SC00002	
Durability test report	WTCB N°651 XE823 CAR4139	

Dimensions		Fixscreen® 100 Slim		Fixscreen® 150	
Single screen					
Fibre glass fabric Sergé / Natté Soltis Veozip polyester fabric Tuffscreen insect mesh	Min. width	700 mm		909 mm	
	Max. width	6000 mm	4000 mm	6000 mm	
	Max. height	2800 mm	4000 mm	6000 mm	
	Max. surface area	16.8 m ²	16 m ²	22 m ²	
Privacy fibre glass fabric Polyester fabric Soltis Horizon 86 / Soltis Perform 92	Min. width	700 mm		909 mm	
	Min. height	300 mm		300mm	
	Max. width	4500 mm	3000 mm	6000 mm	
	Max. height	2800 mm	3500 mm	6000 mm	
	Max. surface area	12.6 m ²	10.5 m ²	22 m ²	
Blackout fibre glass fabric Satiné 21154 Blackout polyester fabric Soltis Opaque B92	Min. width	1000 mm		1000 mm	
	Min. height	300 mm		300 mm	
	Max. width	4000 mm		4000 mm	6000 mm
	Max. height	2800 mm		4000 mm	2600 mm
	Max. surface area	11.2 m ²		16 m ²	15.6 m ²
Coupled screen with 1 motor (IM 7A)					
Fibre glass fabric Sergé / Natté Tuffscreen insect mesh Soltis Veozip polyester fabric	Min. section width	800 mm		1818 mm	
	Max. overall width	6000 mm		6000 mm	
	Max. section width	5000 mm		5000 mm	
	Max. height	2800 mm		6000 mm	
	Max. total surface area	16.8 m ²		22 m ²	
Blackout fibre glass fabric Satiné 21154 Blackout polyester fabric Soltis Opaque B92	Min. section width	1000 mm		1818 mm	
	Max. overall width	6000 mm		6000 mm	
	Max. section width	4000 mm		5000 mm	
	Max. height	2800 mm		2600 mm	
	Max. total surface area	16.8 m ²		15.6 m ²	
Coupled screen with 2 motors (IM 7A)					
Possible dimensions per section, per fabric type according to 'single screen' table	Max. total width	6000 mm		6000 mm	
	Max. total surface area	24 m ²		36 m ²	

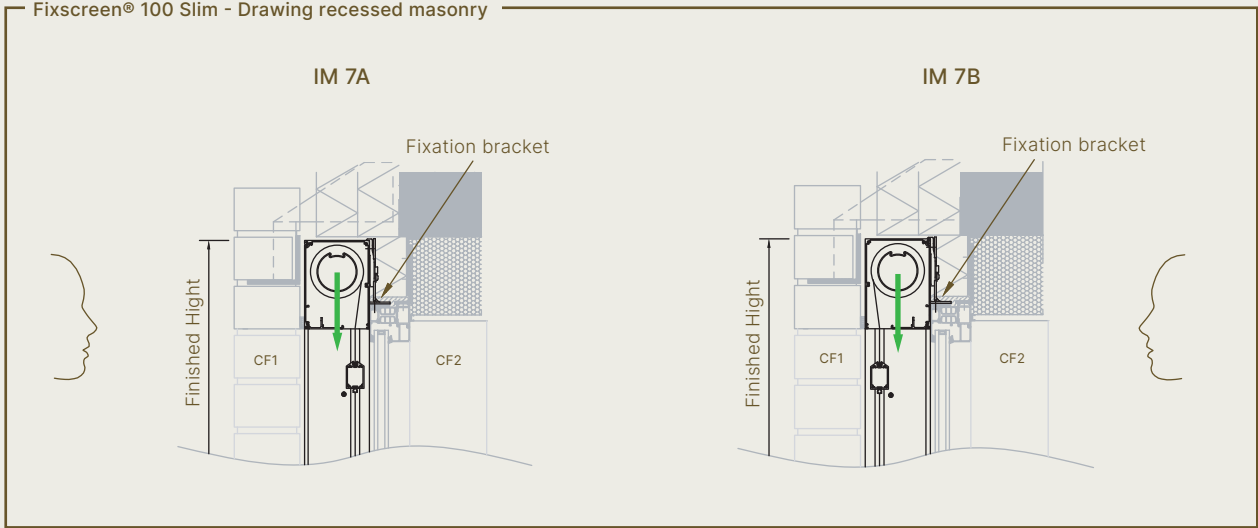
NOTE

- Head box extension not possible with side guiding channel D.
- Plaster profile and fixation bracket optional.

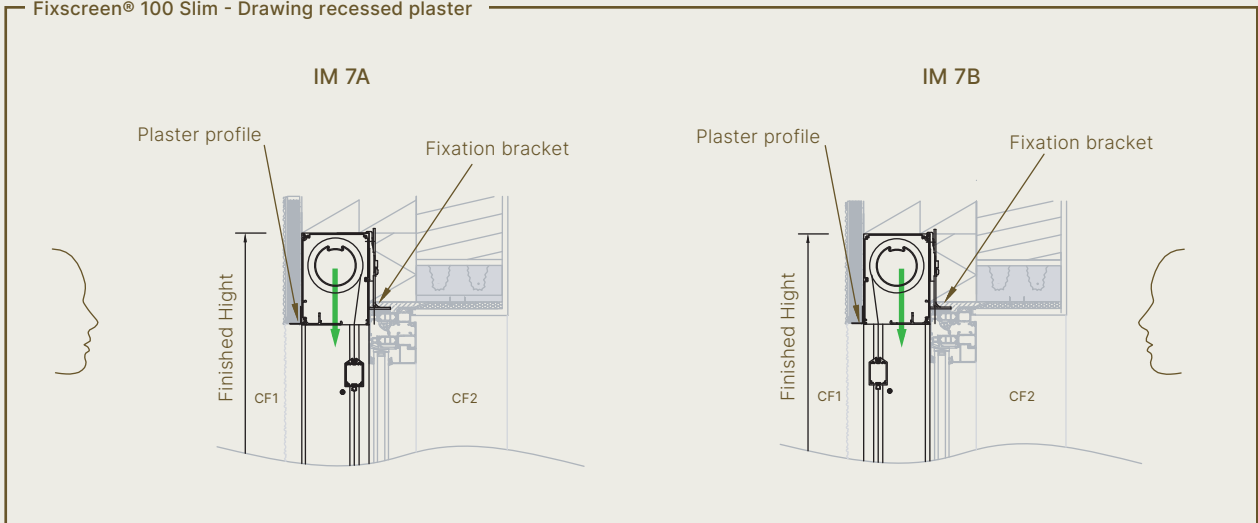
IM 7B:

- Note that the system must be accessible across the full width from the inside...
- in case of a motor fault while the screen is down. Otherwise the fabric needs to be cut.
 - for adjusting the end points in the case of a mechanical motor.

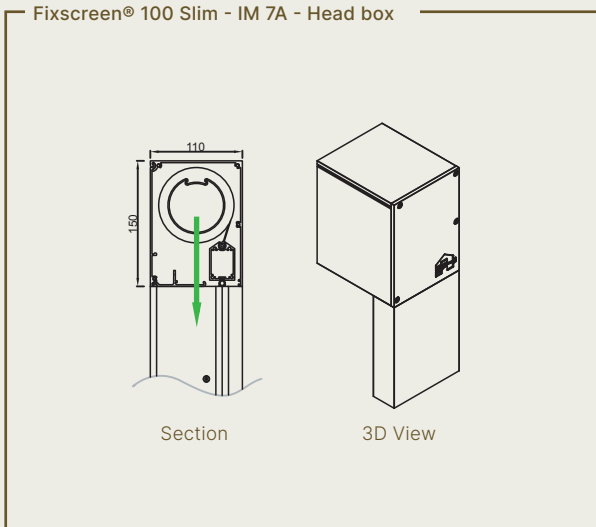
Fixscreen® 100 Slim - Drawing recessed masonry



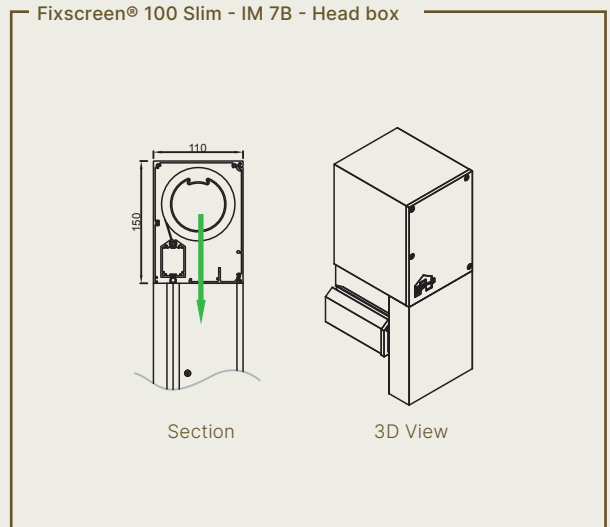
Fixscreen® 100 Slim - Drawing recessed plaster




Fixscreen® 100 Slim - IM 7A - Head box

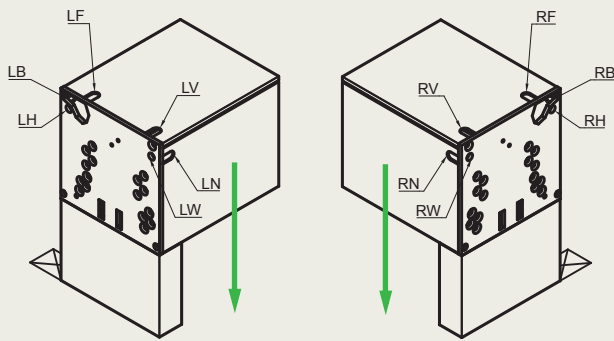


Fixscreen® 100 Slim - IM 7B - Head box



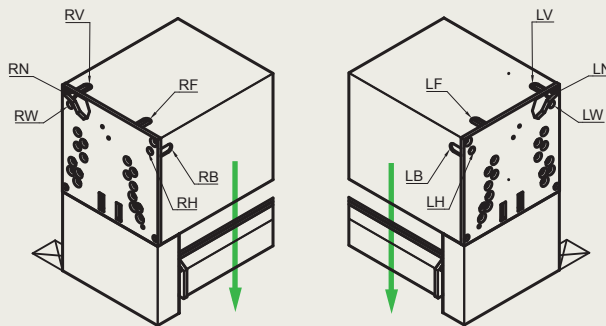
Viewing direction determines choice of left or right cable feed.  Direction in which fabric set should be removed.

Cable feed - IM 7A



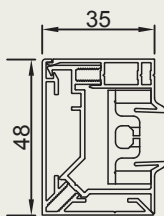
Feed	Feed location
B	rear
F	top
H	side
N	front
V	top
W	side

Cable feed - IM 7B

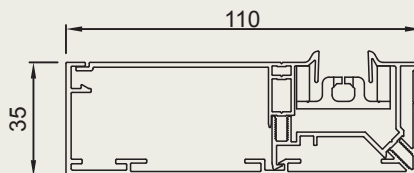


Feed	Feed location
B	rear
F	top
H	side
N	front
V	top
W	side

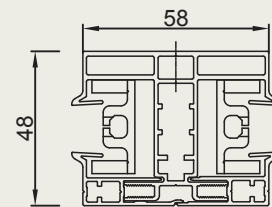
Fixscreen® 100 Slim - Side guiding channels



G = Closed Side Guiding Channel



D = Deep Side Guiding Channel

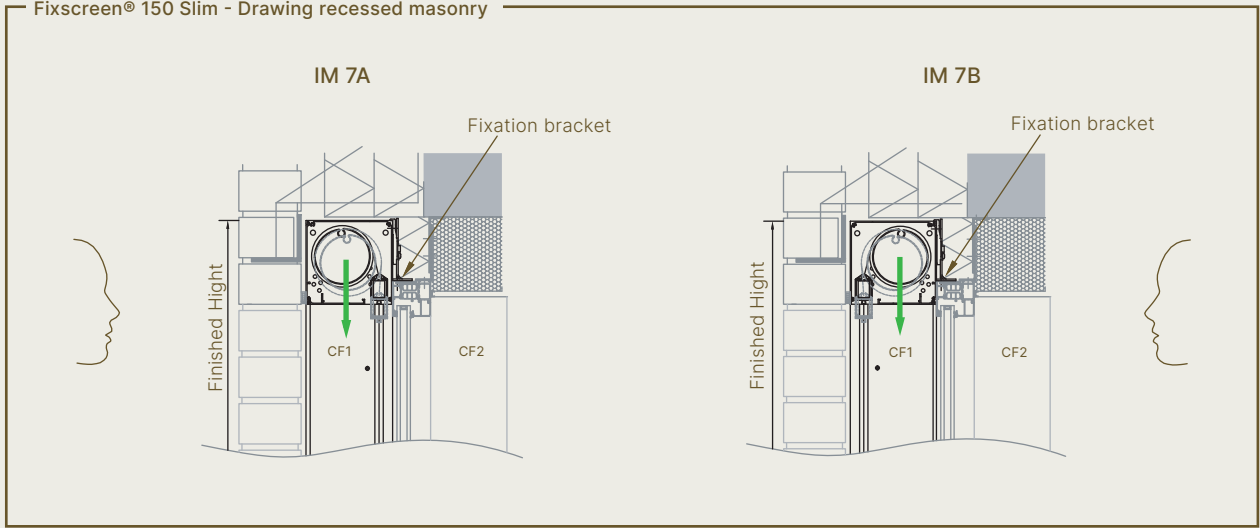


K = Coupling Side Guiding Channel

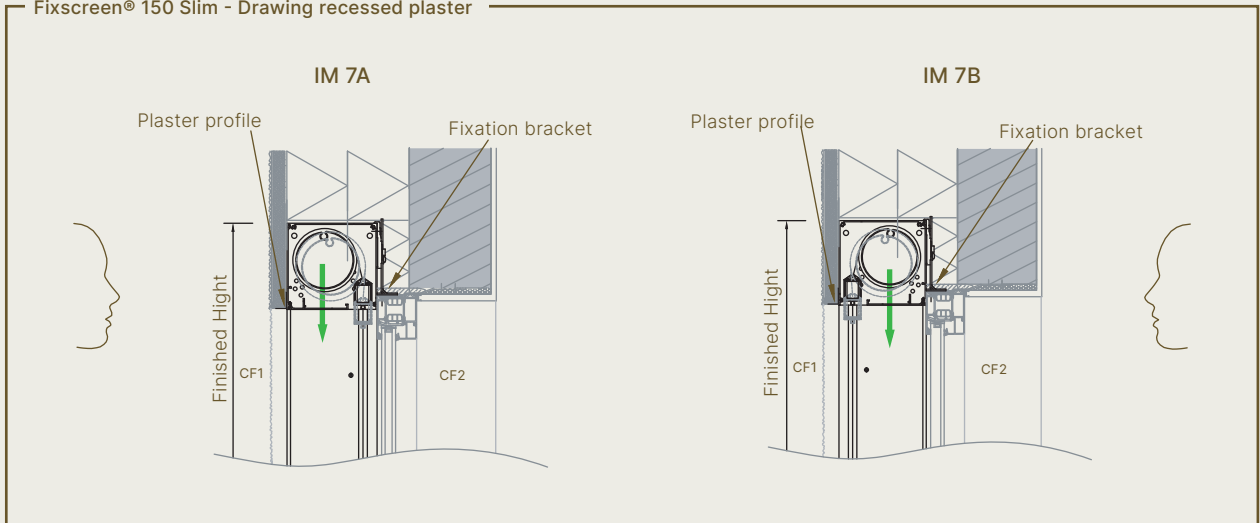
NOTE

When choosing the closed side guiding channel G, the customer must foresee something detachable under the head box in order to be able to disassemble the fabric set underneath (h = min. 680mm).

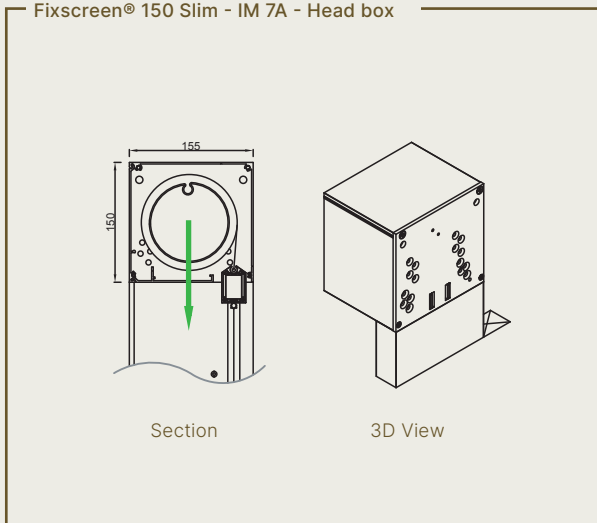
Fixscreen® 150 Slim - Drawing recessed masonry



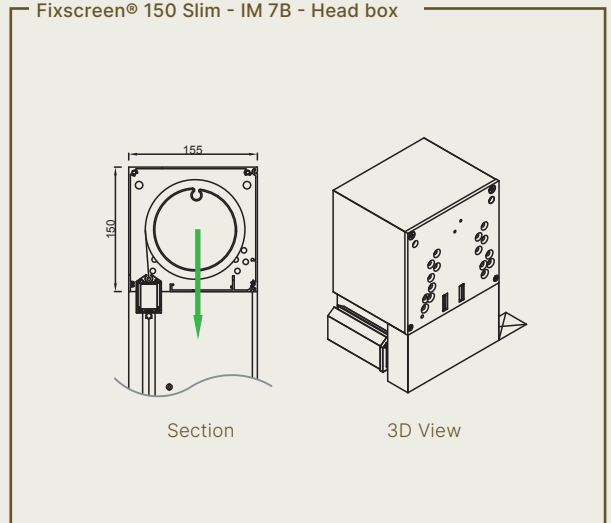
Fixscreen® 150 Slim - Drawing recessed plaster



Fixscreen® 150 Slim - IM 7A - Head box

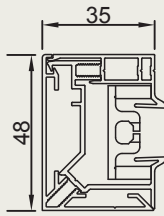


Fixscreen® 150 Slim - IM 7B - Head box

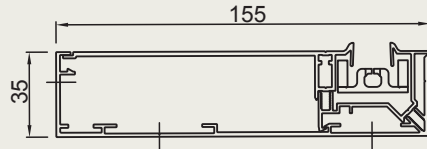


Viewing direction determines choice of left or right cable feed. Direction in which fabric set should be removed.

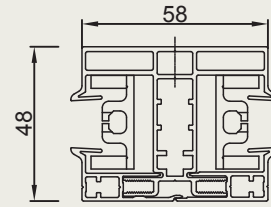
Fixscreen® 150 Slim - Side guiding channels



G = Closed Side Guiding Channel



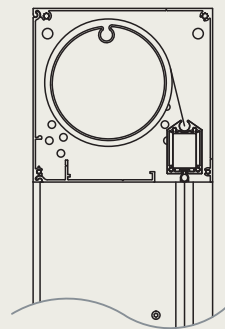
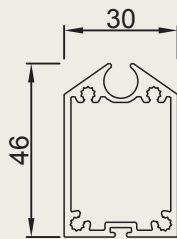
D = Deep Side Guiding Channel



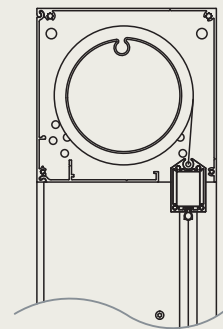
K = Coupling Side Guiding Channel

Bottom bar

Fixscreen® 150



FH ≤ 2800 mm
Bottom bar disappears completely in the head box



2800 mm < FH ≤ 6000 mm
Bottom bar partially disappears completely in the head box